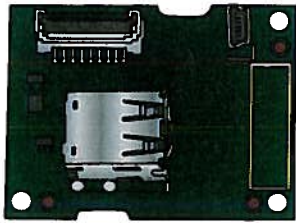




B5L28A



B5L28-90901



www.hp.com/support/internalUSBPorts

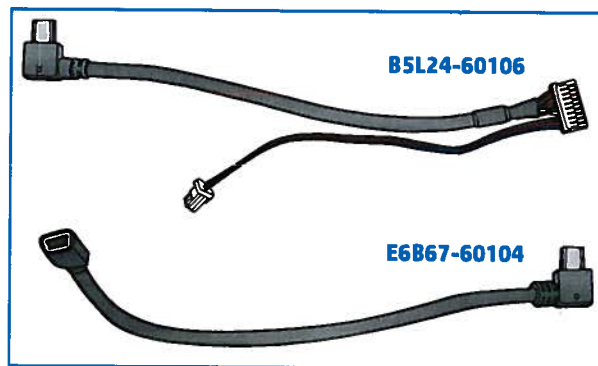
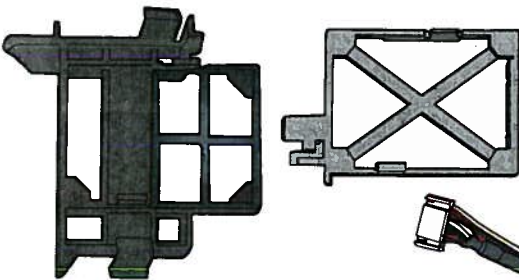
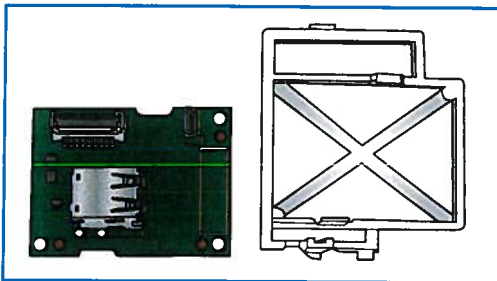
B5L28A



HP LaserJet M604, M605, M606 1
 HP Color LaserJet M552, M553 5

Lea esto primero

M604, M605, M606

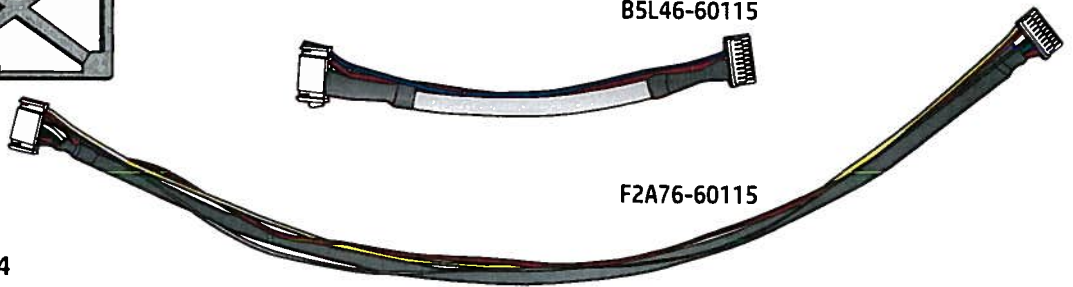


B5L24-60106

E6867-60104

B5L46-60115

F2A76-60115

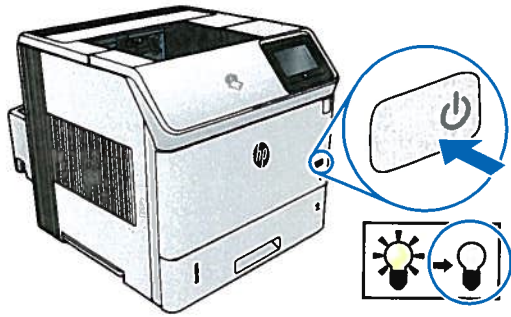


www.hp.com/support/ljM604

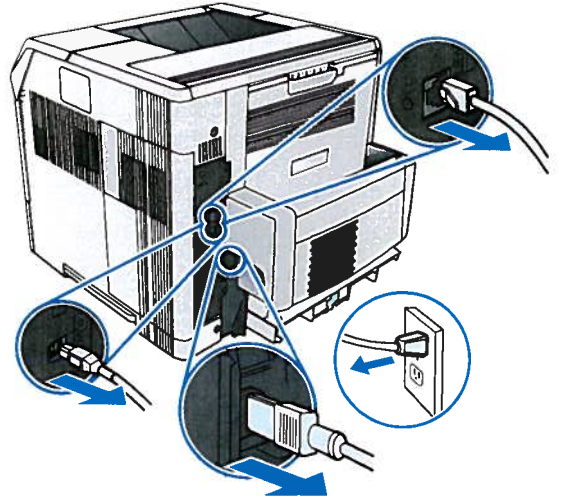
www.hp.com/support/ljM605

www.hp.com/support/ljM606

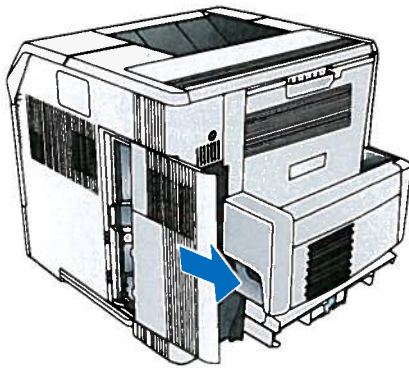
1



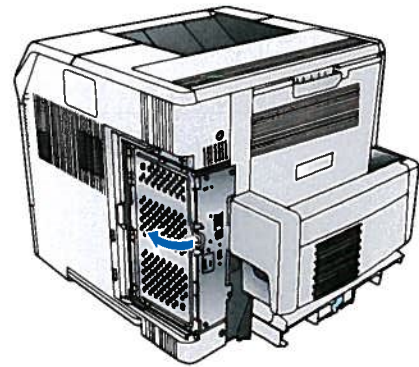
2



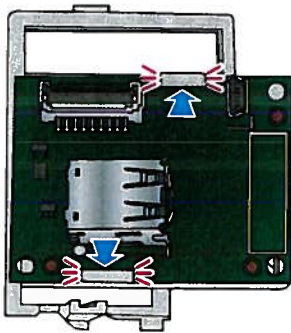
3



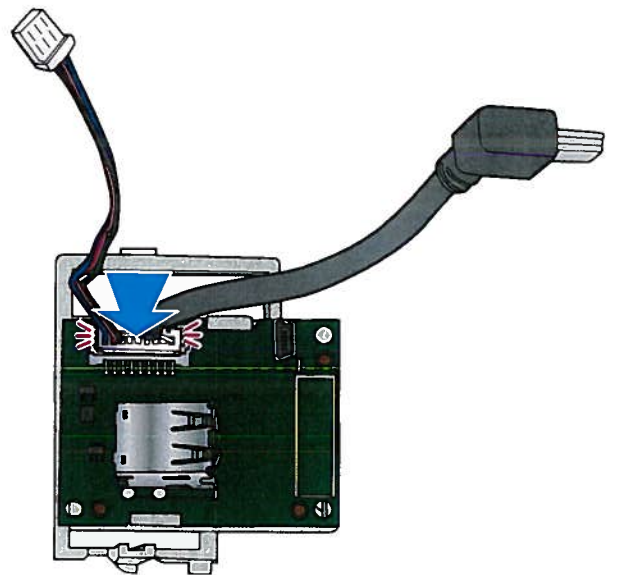
4



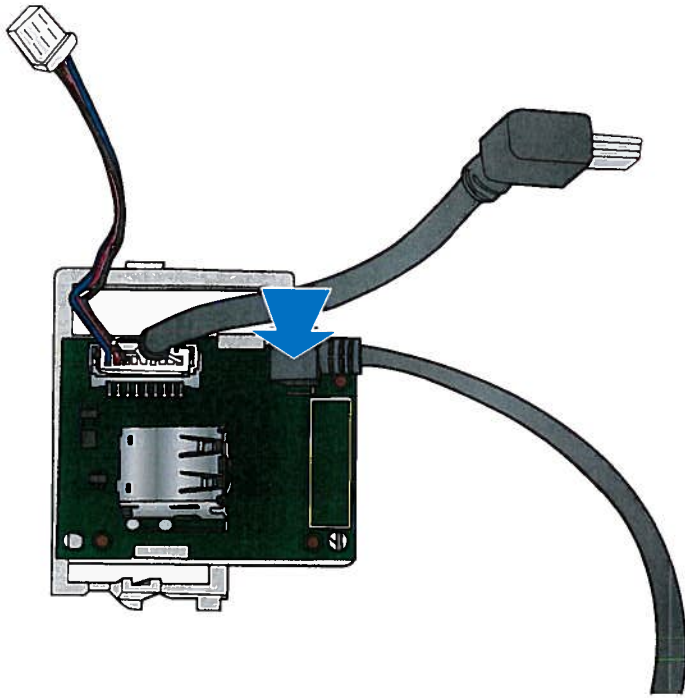
5



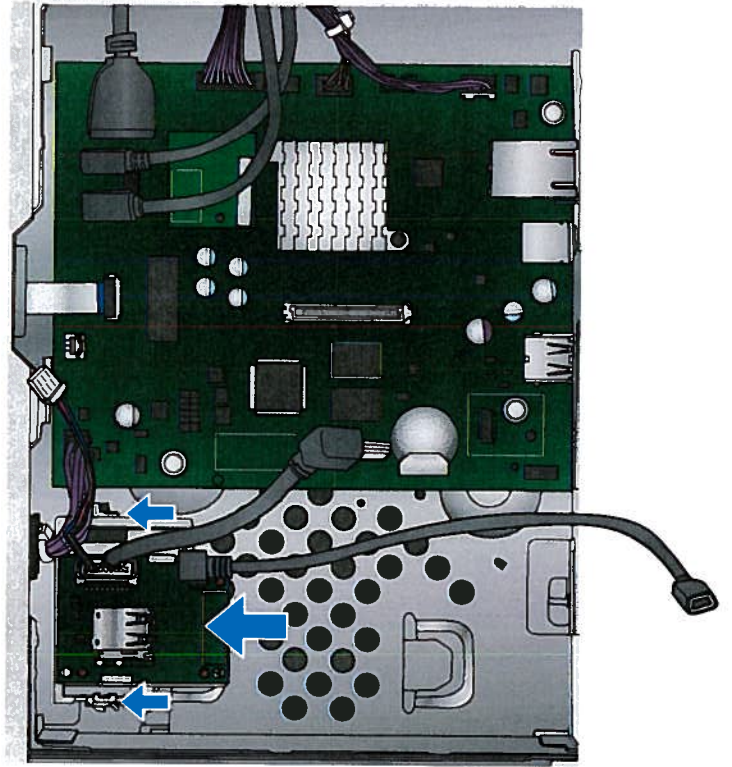
6



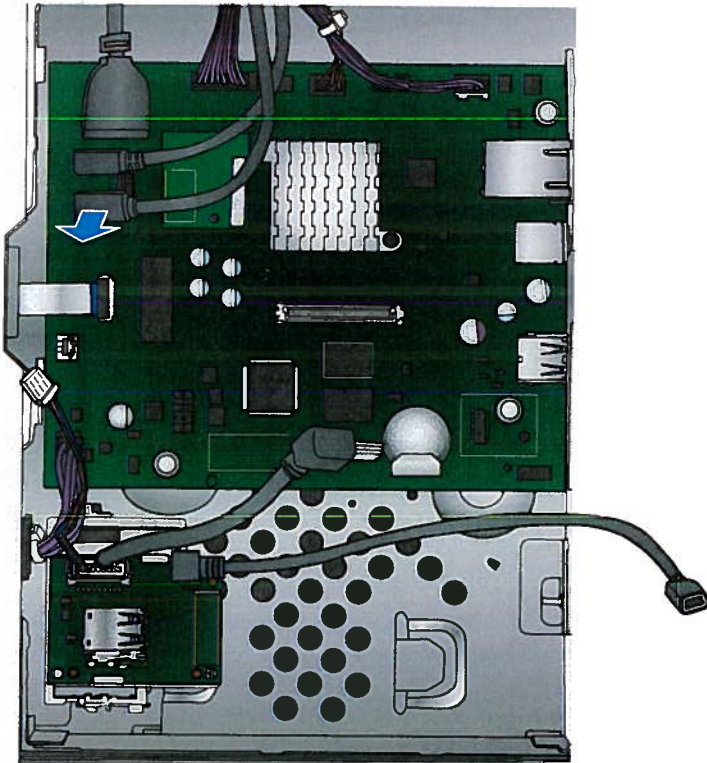
7



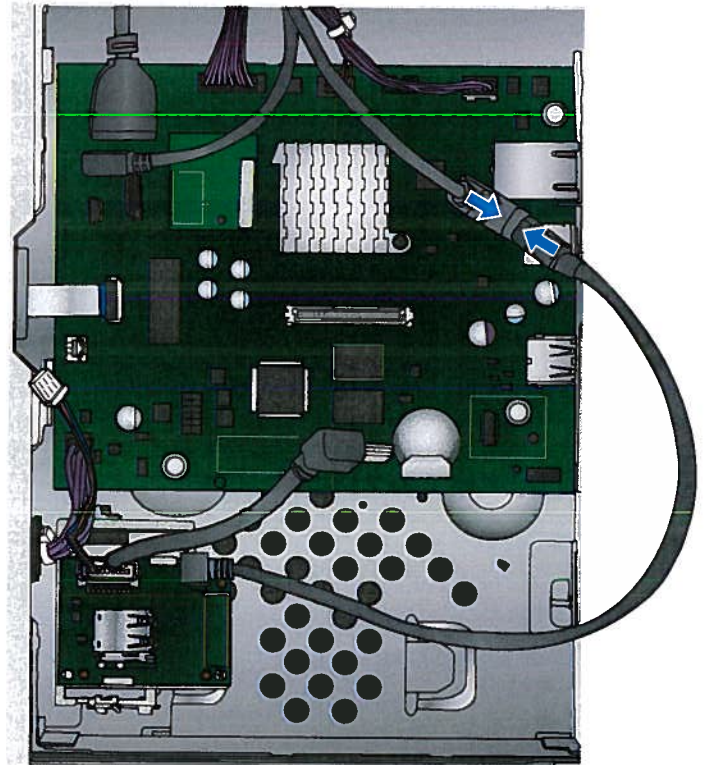
8



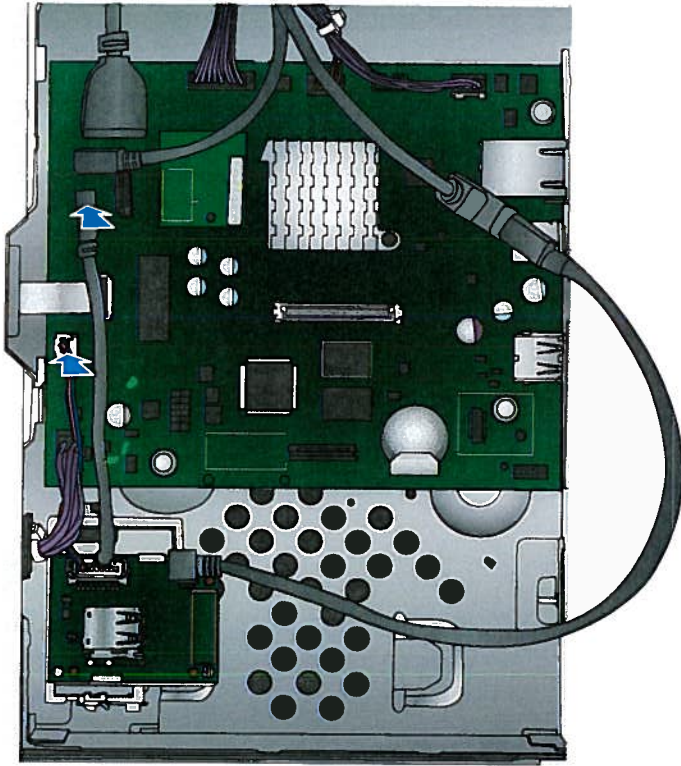
9



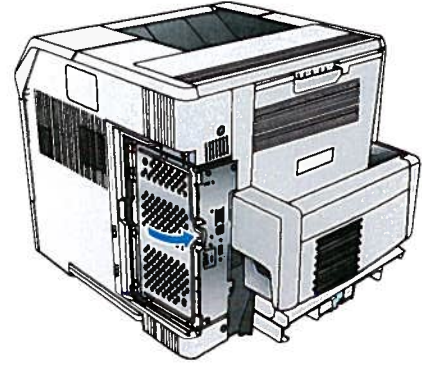
10



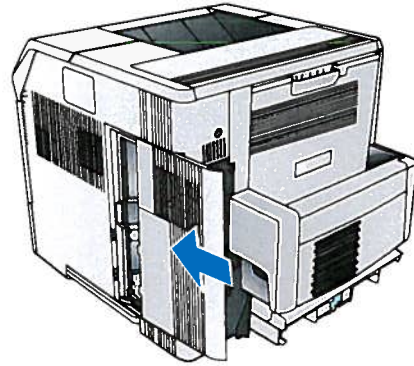
11



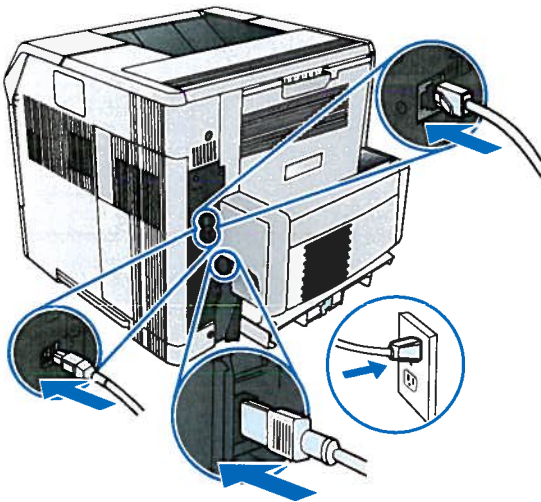
12



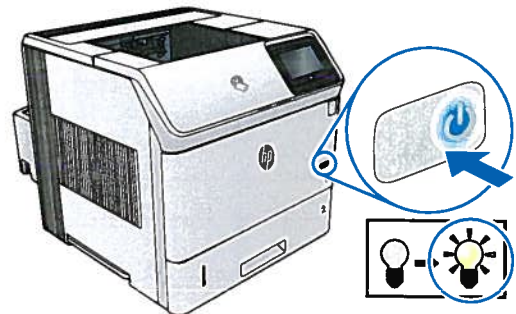
13



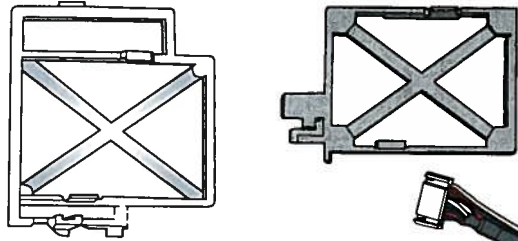
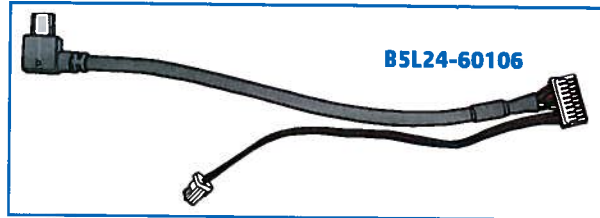
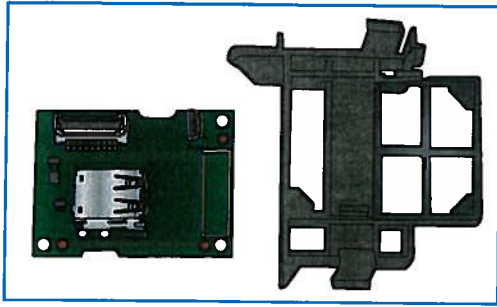
14



15



M552, M553



B5L46-60115



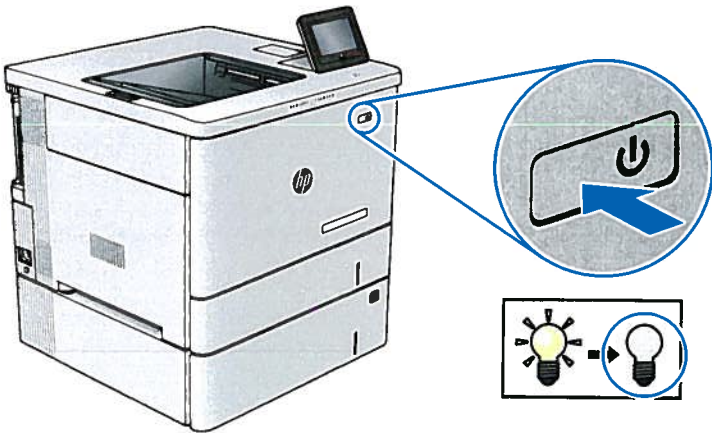
F2A76-60115



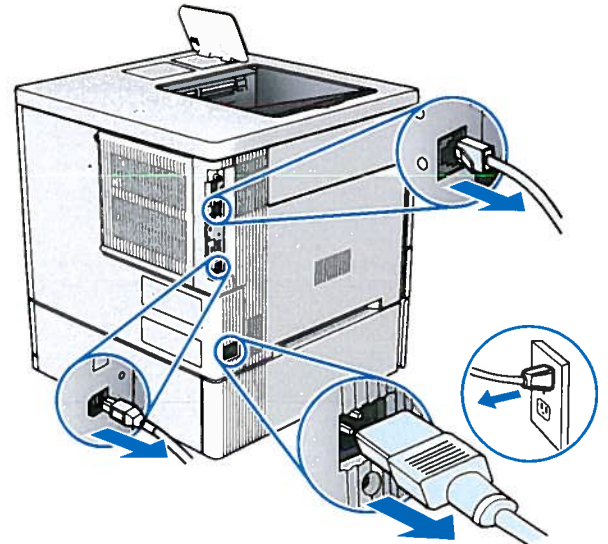
www.hp.com/support/colorljM552

www.hp.com/support/colorljM553

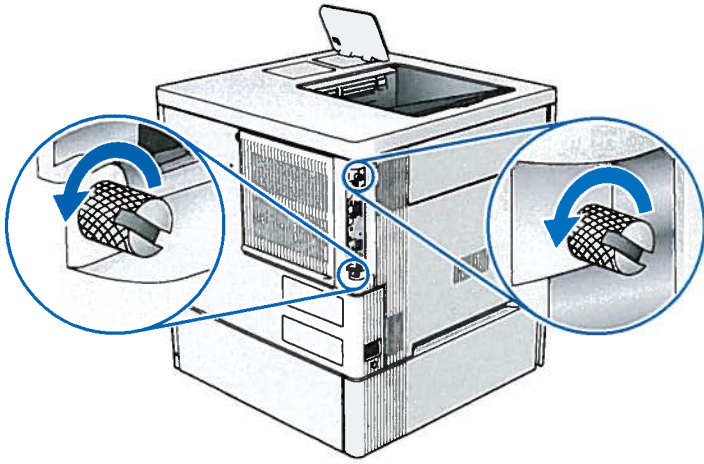
1



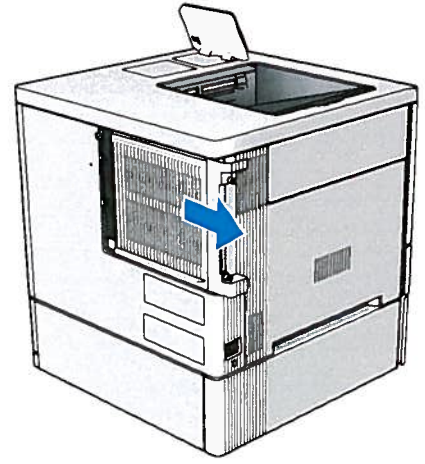
2



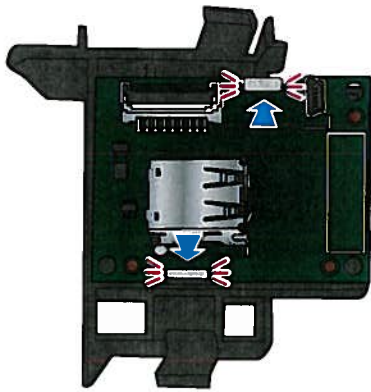
3



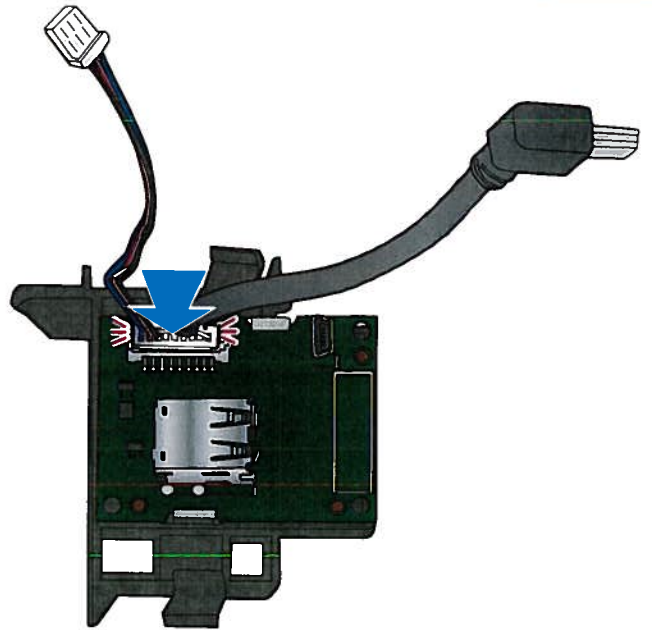
4



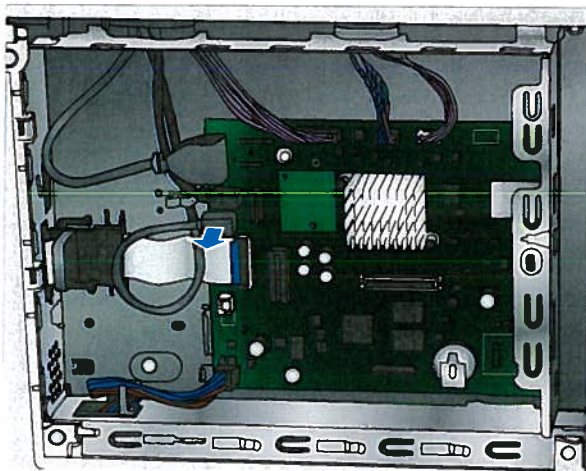
5



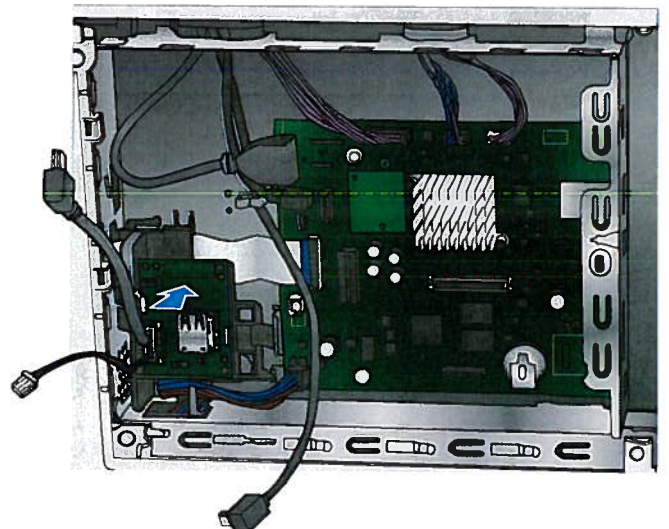
6



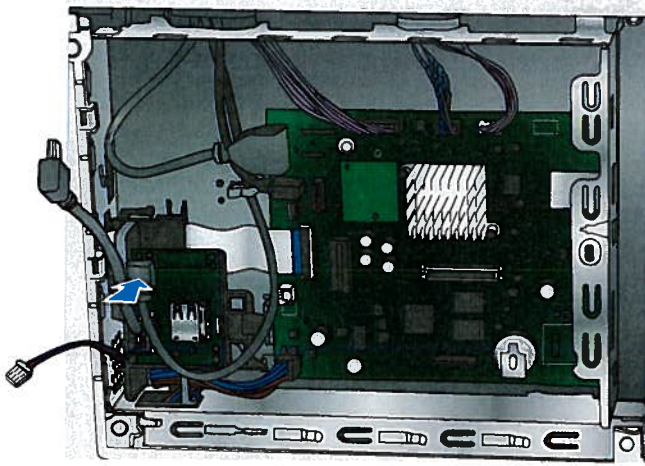
7



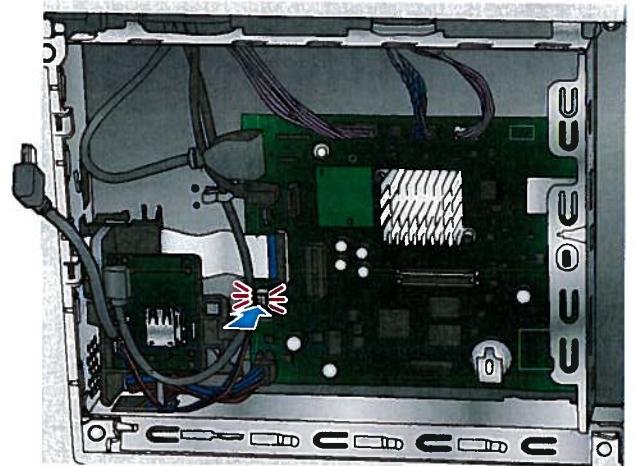
8



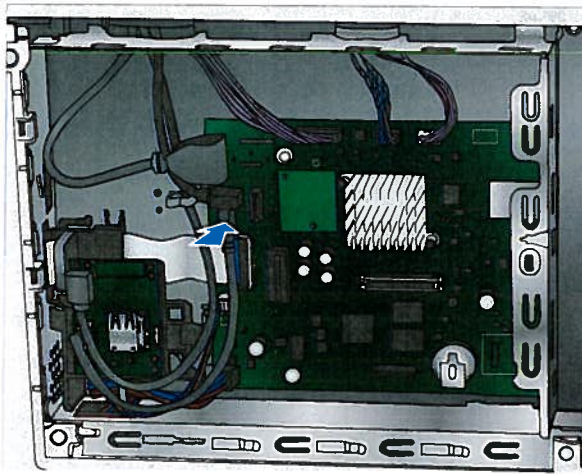
9



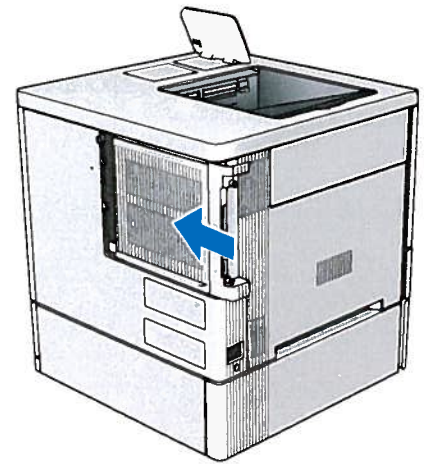
10



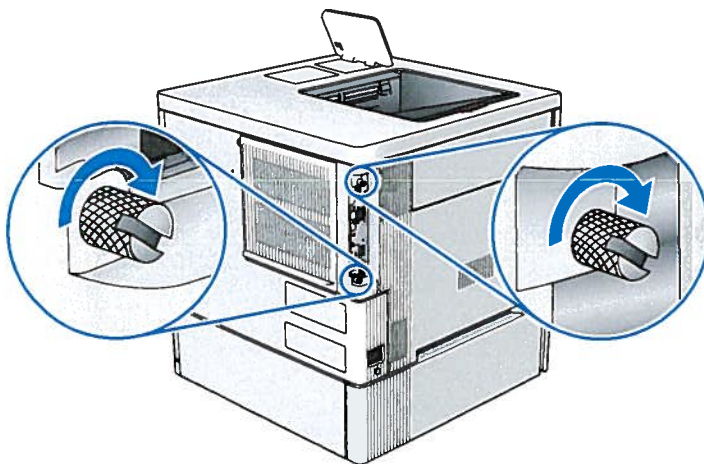
11



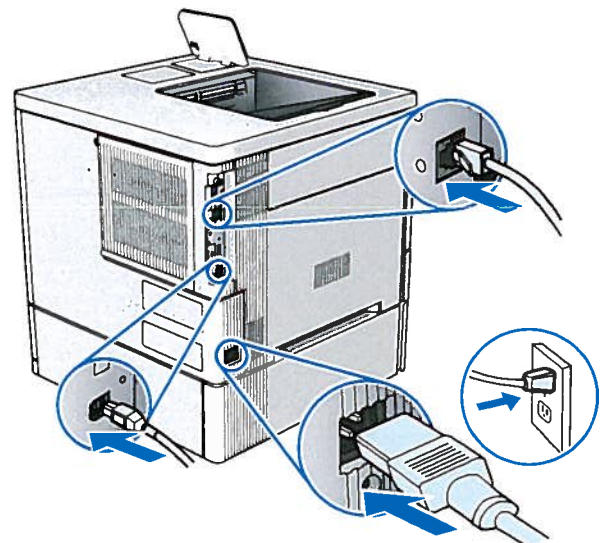
12



13

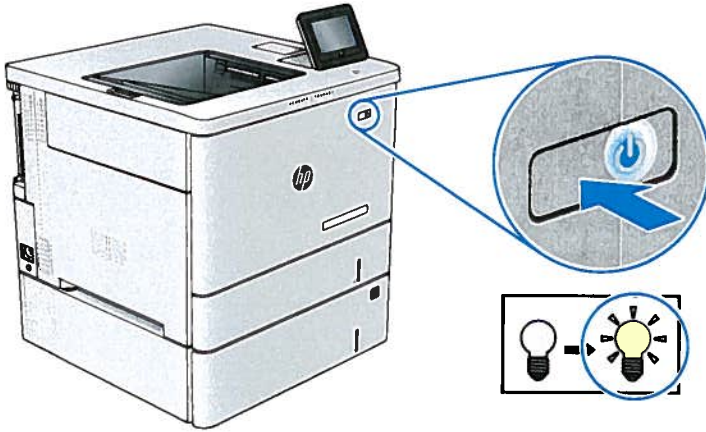


14





Troy Card



产品中有害物质或元素的名称及含量

根据中国《电子信息产品污染控制管理办法》



部件名称	有毒有害物质或元素					
	铅 (Pb)	汞 (Hg)	镉 (Cd)	六价铬 (Cr(VI))	多溴联苯 (PBB)	多溴二苯醚 (PBDE)
机械/结构部件	X	0	0	0	0	0
电气/电子部件	X	0	0	0	0	0

本表格依据 SJ/T 11364 的规定编制。

0: 表示该有害物质在该部件所有均质材料中的含量均在 GB/T 26572 规定的限量要求以下。

X: 表示该有害物质至少在该部件的某一均质材料中的含量超出 GB/T 26572 规定的限量要求。

此表中所有名称中含“X”的部件均符合欧盟 RoHS 立法。

注: 环保使用期限的参考标识取决于产品正常工作的温度和湿度等条件

Restriction on Hazardous Substances statement (India)

This product complies with the "India E-waste Rule 2011" and prohibits use of lead, mercury, hexavalent chromium, polybrominated biphenyls or polybrominated diphenyl ethers in concentrations exceeding 0.1 weight % and 0.01 weight % for cadmium, except for the exemptions set in Schedule 2 of the Rule.


Tehlikeli Maddelere İlişkin Kısıtlama ifadesi (Türkiye)

Türkiye Cumhuriyeti: EEE Yönetmeliğine Uygundur

Обмеження згідно Положення про шкідливі речовини (Україна)

Обладнання відповідає вимогам Технічного регламенту щодо обмеження використання деяких небезпечних речовин в електричному та електронному обладнанні, затвердженого постановою Кабінету Міністрів України від 3 грудня 2008 № 1057

Upgrade HP Web Jetadmin

 **IMPORTANT:** The current HP Web Jetadmin installation must be backed up before an upgrade is started. The WJABackupRestoreInstructions_<language_code>.txt file provides instructions for backing up HP Web Jetadmin. This file is located in the following directory on the HP Web Jetadmin server:

C:\Program Files\Hewlett-Packard\Web Jetadmin 10\WJABackupRestore

In HP Web Jetadmin, go to **Help > About**, and then write down the current version as 10.3. *nnnnn*, where *nnnnn* is the build number. This version of the installer is required to perform a recovery.

Before you begin an upgrade, go to **Application Management > Overview > Application Management – Active Tasks**, and then check for any paused or pending tasks. You must stop or resolve these tasks before you run the installer.

To upgrade HP Web Jetadmin, obtain the HP Web Jetadmin installation executable from www.hp.com/go/webjetadmin. Then run the executable on the system that hosts HP Web Jetadmin.

Import Feature Packs

Feature Packs provide support for dynamically adding new configuration options and new device images to HP Web Jetadmin. Feature Packs are imported and applied on an existing installation of HP Web Jetadmin. This means that customers can gain access to this new functionality without installing and qualifying a new version of the full HP Web Jetadmin application. WJA Administrator rights are required to apply Feature Packs.

Feature Packs are cumulative. A new Feature Pack includes the new functionality that is being released and all of the functionality that was released in previous Feature Packs.

Each Feature Pack has a minimum version of HP Web Jetadmin that must be installed before the Feature Pack can be imported and applied. If customers try to import a Feature Pack on a version of HP Web Jetadmin that is earlier than the minimum required version, a message appears that specifies the minimum required version.

Feature Packs are available as signed HPb (HP Binary) files that are downloaded from www.hp.com/go/webjetadmin. After an HPb file is downloaded, the HPb file is imported into the existing installation of HP Web Jetadmin and applied. The HP Web Jetadmin service must be restarted before the new functionality is available in HP Web Jetadmin.

 **WARNING!** After a Feature Pack is applied, it cannot be removed from HP Web Jetadmin. HP recommends that you back up HP Web Jetadmin before applying a Feature Pack.

When a Feature Pack is initially released, the software and online Help for the new features are available only in English. The localized software and online Help for the new features will be provided at a later time, either in a new Feature Pack or a new version of HP Web Jetadmin.

Import and apply a Feature Pack

1. Go to www.hp.com/go/webjetadmin, and then download the HP Web Jetadmin Feature Pack file.
2. Go to **Tools > Feature Packs**.
3. Click the **Import** button.
4. On the **Open** window, browse to and select the HPb (HP Binary) file, and then click the **Open** button. The HPb file is listed on the **Feature Packs** window with a status of **Imported**.
5. If a Feature Pack has already been imported, but has not been applied yet, a **Warning** window appears. To overwrite the existing Feature Pack, click the **Yes** button.